

Morex SFF mATX Slim Case

Model: SFF506



Specification:

Model	SFF506
Graphic card size	Low Profile
Color	Black (Frame in Black or Frame in Red)
Housing Material	0.6mm SGCC
Maximum CPU cooler height	65mm
Drive Bays	1 x 5.25" tool-less drive bays 1 x 3.5" tool-less HDD bracket 1 x 2.5" tool-less SSD
Front I/O Type	3 x USB 2.0/HD-AUDIO/Card Reader
Card Reader	Incl.
Motherboard Support	Micro ATX, Mini-ITX
PSU Type	TFX
Dimensions	D*W*H: 356*102*338mm
Weight	N.W.: 5KGS; G.W.:6KGS
Optional	USB 3.0 x 1 or USB 3.0 x 2 80mm or 92mm Black Fan (3 pin with Sensor) 80mm or 92mm Black Fan (4 pin real PWM IC)
40HQ/ QTY	2000PCS without Pallet

SFF506-BK (Frame in Black)



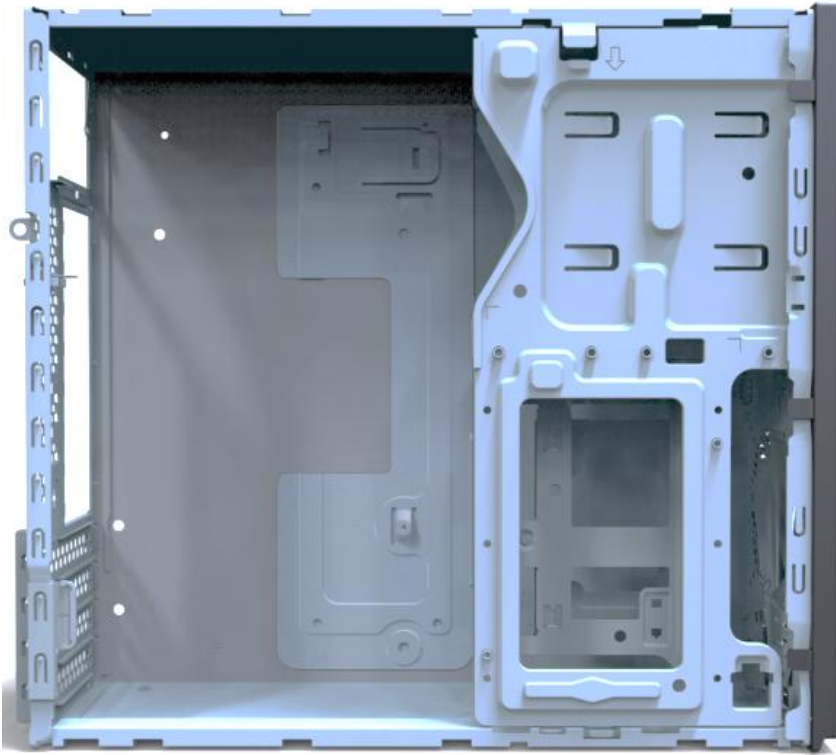
SFF506-RB (Frame in Red)



Put case at horizontally Ref.SFF506

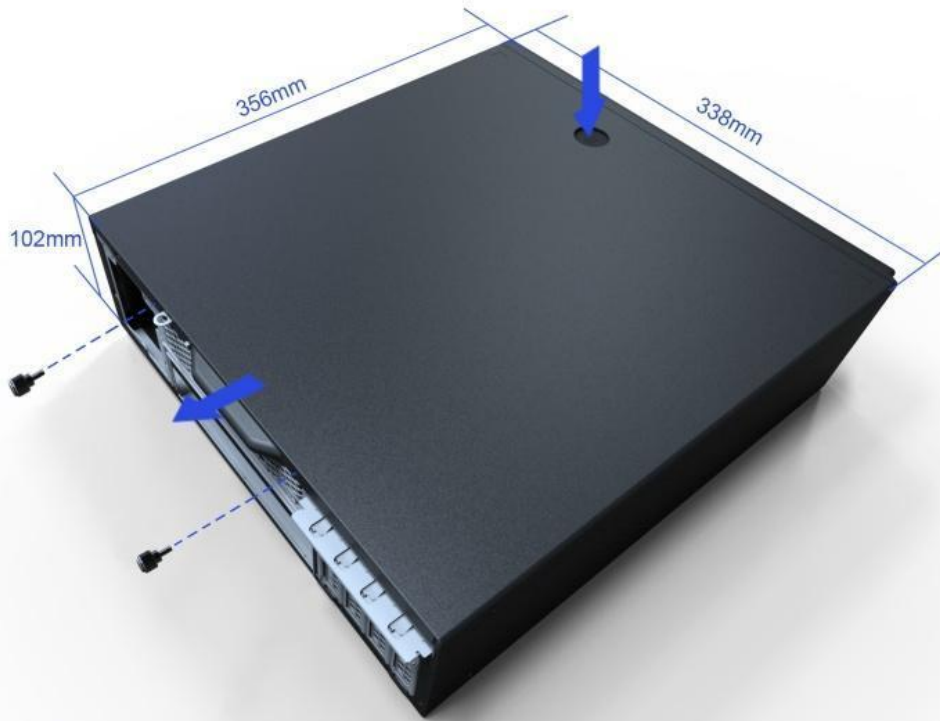


Inner Chassis



Front view
Rear view





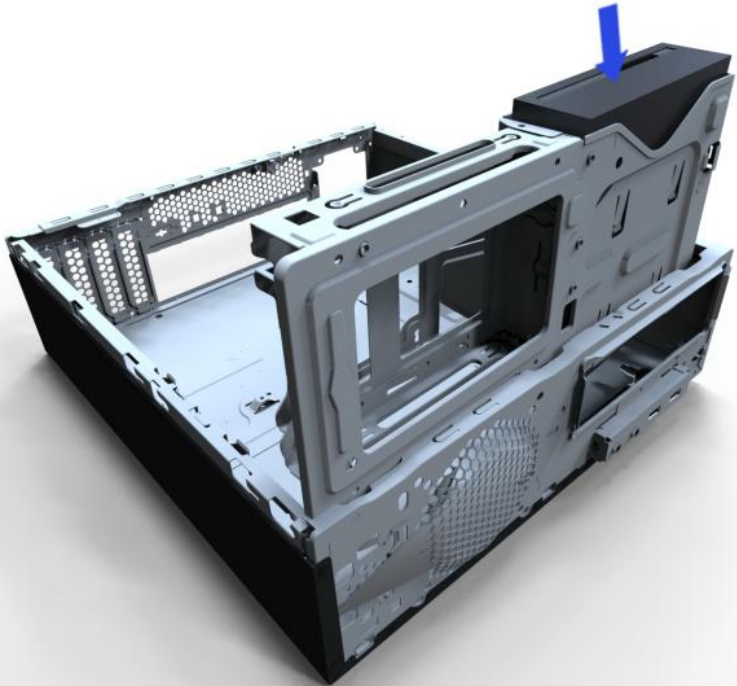
Removing the computer cover



Removing the front bezel

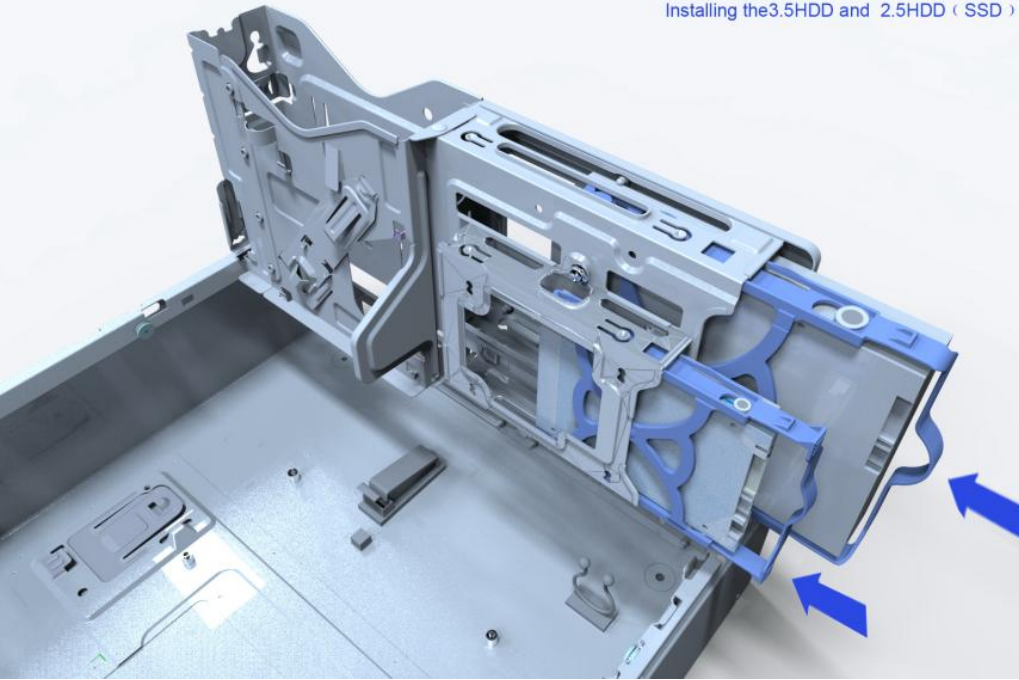


Pivoting the drive bay assembly upward



Installing the optical drive

Installing the 3.5HDD and 2.5HDD (SSD)



Thermal dissipation Solution.

